

Talis

Single lever basin mixer for concealed installation wall-mounted with spout 22.5 cm

Surfaces: **Chrome** Article Number: **31611000**



Description

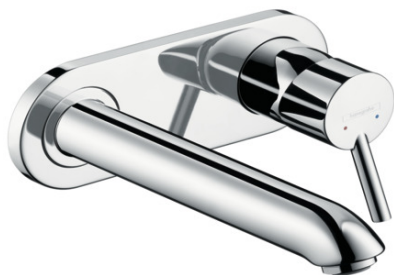
product features

- projection 225 mm
- normal spray
- flow rate at 3 bar: 5 l/min
- ceramic cartridge
- temperature limitation adjustable
- suitable for continuous flow water heaters
- connection dimension: DN15
- handle can be positioned on the right or left
- P-IX 18117/IO
- ETA VA 1.42/20324
- WRAS 1702034
- WRAS 1702034
- KCW-2018-0161_WTM
- SINTEF 3114

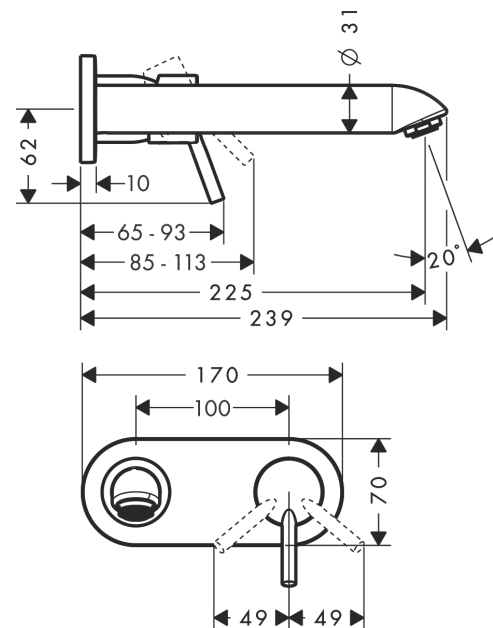
Technology



Product image



Scale drawing



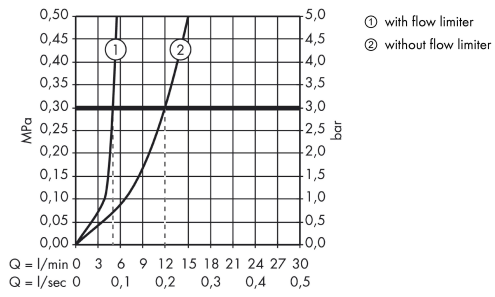
Talis

Single lever basin mixer for concealed installation wall-mounted with spout 22.5 cm

Surfaces: **Chrome** Article Number: **31611000**



Flowchart



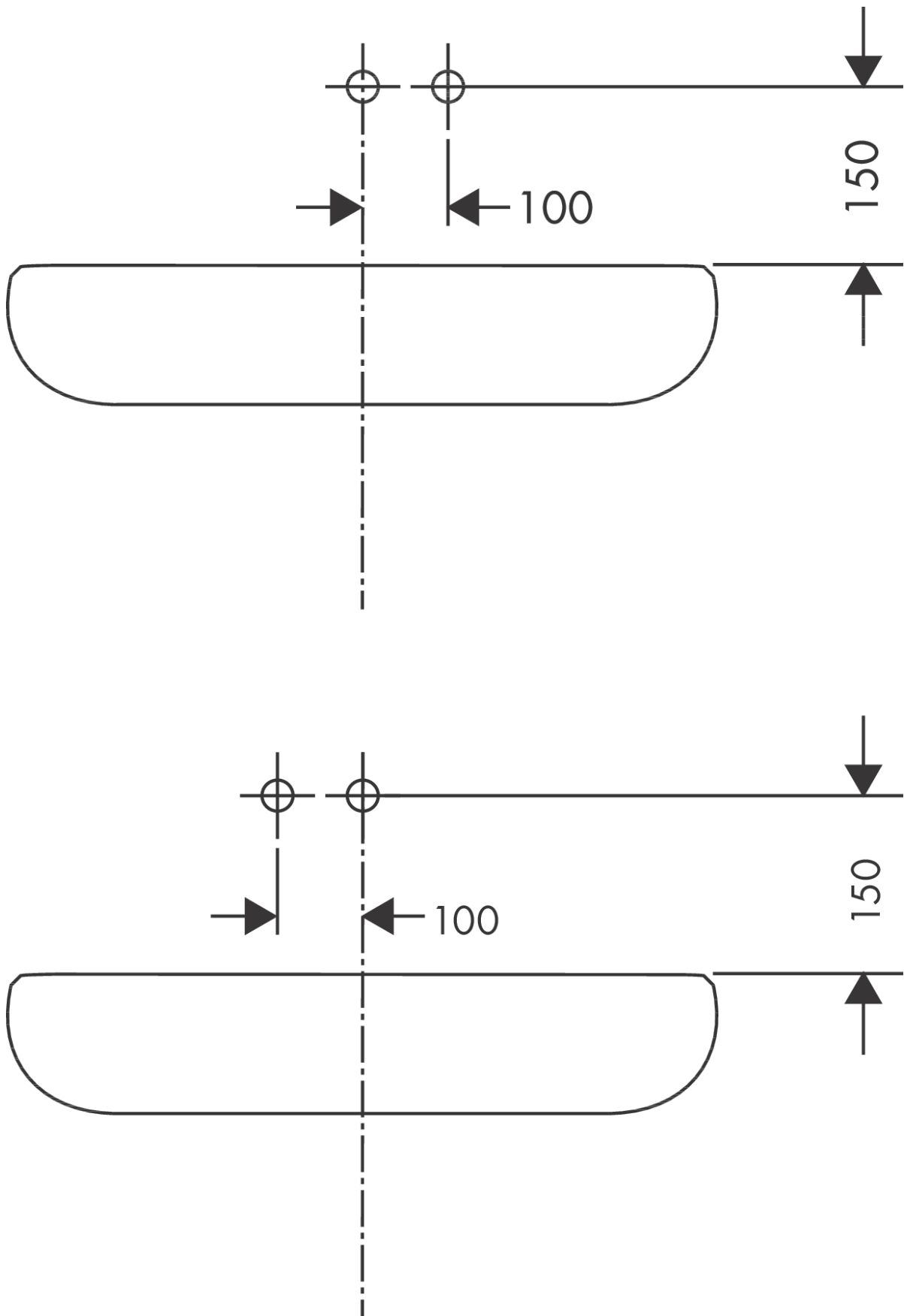
Talis

Single lever basin mixer for concealed installation wall-mounted with spout 22.5 cm

Surfaces: **Chrome** Article Number: **31611000**



Installation examples



Talis

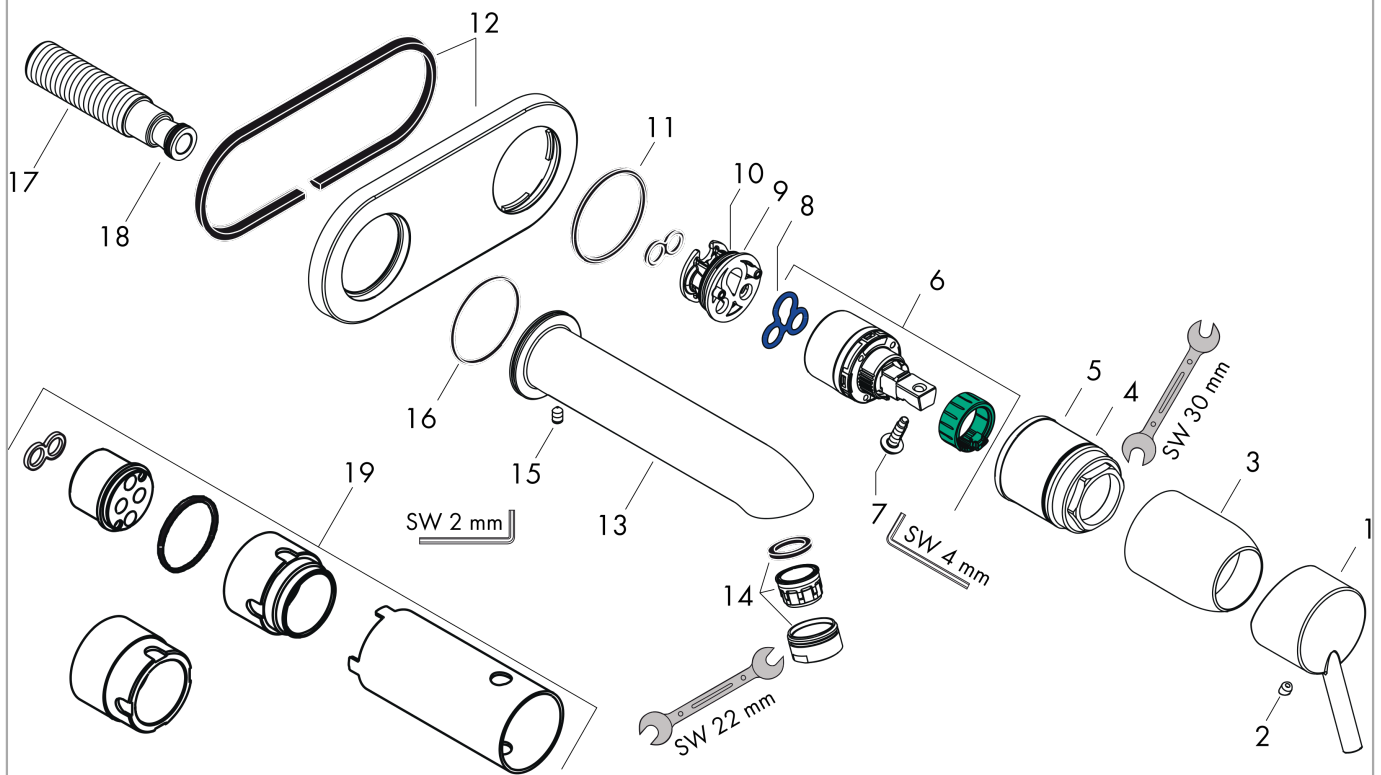
Single lever basin mixer for concealed installation wall-mounted with spout 22.5 cm

Surfaces: **Chrome** Article Number: **31611000**



Exploded Drawing

Year of production: >04/10



Talis**Single lever basin mixer for concealed installation wall-mounted with spout 22.5 cm**Surfaces: **Chrome** Article Number: **31611000****Spare part list**

Year of production: >04/10

Pos.	Description	Article Number	PC	PU
1	handle	32096000	10	1
2	screw cover	96338000	1	1
3	sleeve	98790000	8	1
4	O-ring 39x1,5	98400000	1	1
5	nut	95622000	9	1
6	cartridge, assy	92730000	11	1
7	locking screw for handle	95140000	2	1
8	seal	95008000	3	1
9	adapter for cartridge	95779000	5	1
10	O-ring 26x2	98147000	1	1
11	O-ring 43x3	98418000	1	1
12	escutcheon	95623000	10	1
13	spout 220 mm	95625000	14	1
14	aerator M24x1 (5 l/min)	13185000	98	1
15	hollow set screw M5x8	92851000	1	1
16	O-ring 41x2	98212000	1	1
17	connecting thread G½	95626000	10	1
18	O-ring 13x2	98128000	1	1
19	extension set 25 mm for 13622180	31971000	98	1
a	base body	13622180	98	1